

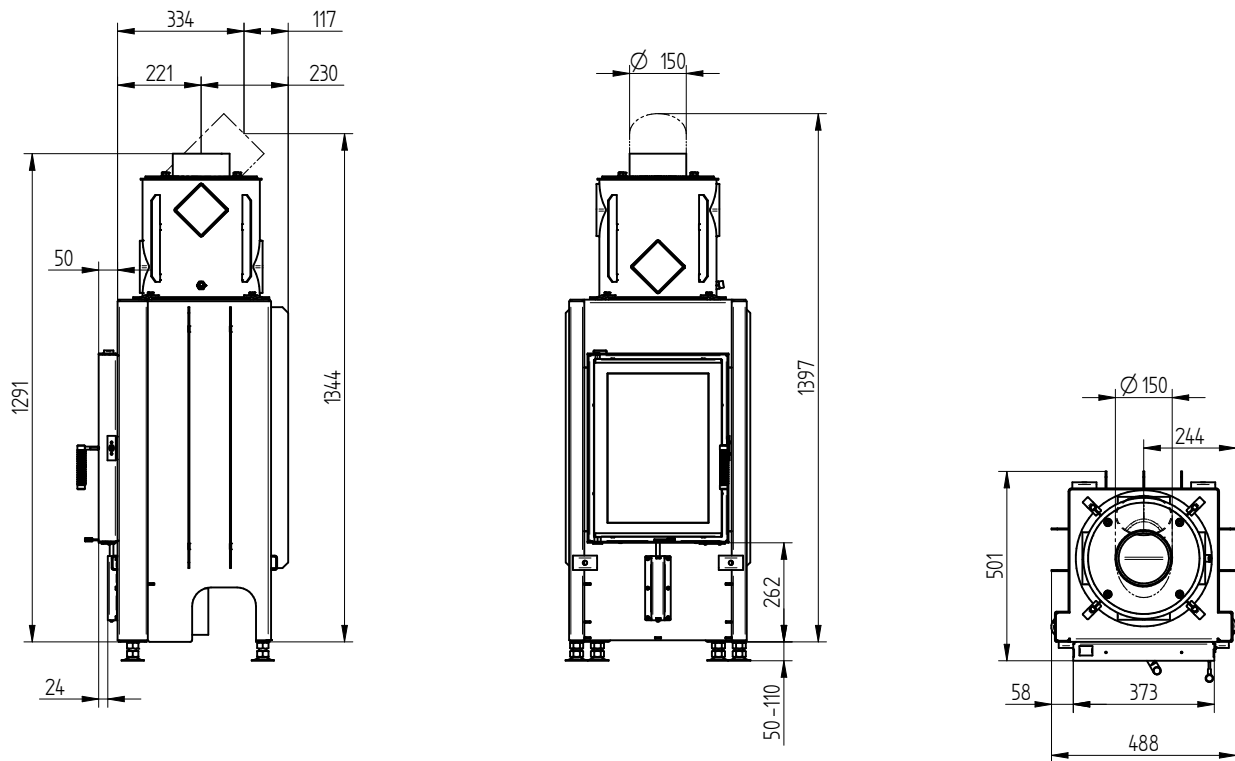
Technical data	operation when directly connected to chimney		operation when connected accumulation mass	
	cupola	hot air exchanger	cupola	adaptor
Energy label	A	A+	A+	A+
Operating data				
Nominal heat power	6 kW	9 kW	----	----
Efficiency	> 80 %	> 80 %	----	----
Consumption of wood	1,8 kg/h	2,6 kg/h	4,5 kg	4,5 kg
Total heat output of the burning chamber	----	----	18 kW	18 kW
Average heat output / heat accumulation time ⁵	----	----	1,8 kW / 8 h	1,8 kW / 8 h
Mass flow of flue gas	6,1 g/s	7,5 g/s	15 g/s	15 g/s
Required chimney pressure	12 Pa	12 Pa	12 Pa	15 Pa
Required amount of combustion air	20 m ³ /h	25 m ³ /h	40 m ³ /h	40 m ³ /h
Average flue gas temperature				
on the output	232 °C	255 °C	383 °C	397 °C
behind 3,4 m of ceramic accumulation system KMS 300 ¹	----	----	186 °C	----
behind accumulation rings (5x acc. ring Ø440mm)	----	----	----	229 °C
Heat distribution				
fireplace insert	74–84 %	74–84 %	40 %	34 %
door glass (single / double)	26 / 16 %	26 / 16 %	26 / 16 %	26 / 16 %
additional accumulation mass	----	----	34–44 %	40–50 %
Information for ventilated builds				
Minimal grill area supply / outgoing	600 / 700 cm ²	900 / 1050 cm ²	900 / 1050 cm ²	900 / 1050 cm ²
Minimum distance from insulated areas / floor	50 / 0 mm		50 / 0 mm	
Reference insulation ² ceiling / back wall / side wall / floor	120 / 80 / 80 / 0 mm		120 / 80 / 80 / 0 mm	
Calciumsilicate insulation ³ ceiling / back wall / side wall / floor	90 / 60 / 60 / 0 mm		90 / 60 / 60 / 0 mm	
Information for non-ventilated builds (closed grills)				
Minimum radiant area ⁴	suitable		4 m ²	
Minimum distance from insulated areas / floor	50 / 20 mm		50 / 20 mm	
Reference insulation ² ceiling / back wall / side wall / floor	160 / 100 / 100 / 20 mm		160 / 100 / 100 / 20 mm	
Calciumsilicate insulation ³ ceiling / back wall / side wall / floor	120 / 75 / 75 / 20 mm		120 / 75 / 75 / 20 mm	
General technical information				
Total weight / lining weight	circa 147 / 64 kg		circa 147 / 64 kg	
Burning chamber dimensions (width x depth)	305 x 305 mm			
Combustion air connection	Ø 125 mm			
Use in non-ventilated accumulation builds according to craft rules	suitable			
Tested according to	EN 13229			
Meets values	1. BImSchV (Stufe2), 15a BVG			

- Listed value from testing. For accurate results is evaluation of each system in the Ortnr / KOV program necessary
- Mineral wool according to AGI-Q 132
- Example SkamoEnclosure Board 225 kg/m³
- Depends on accumulation period and material characteristics. Listed values calculated with average specific heat output = approx. 500 W/m²
- Storage operation, one wood charge for storage duration, with closed construction and efficiency > 80%

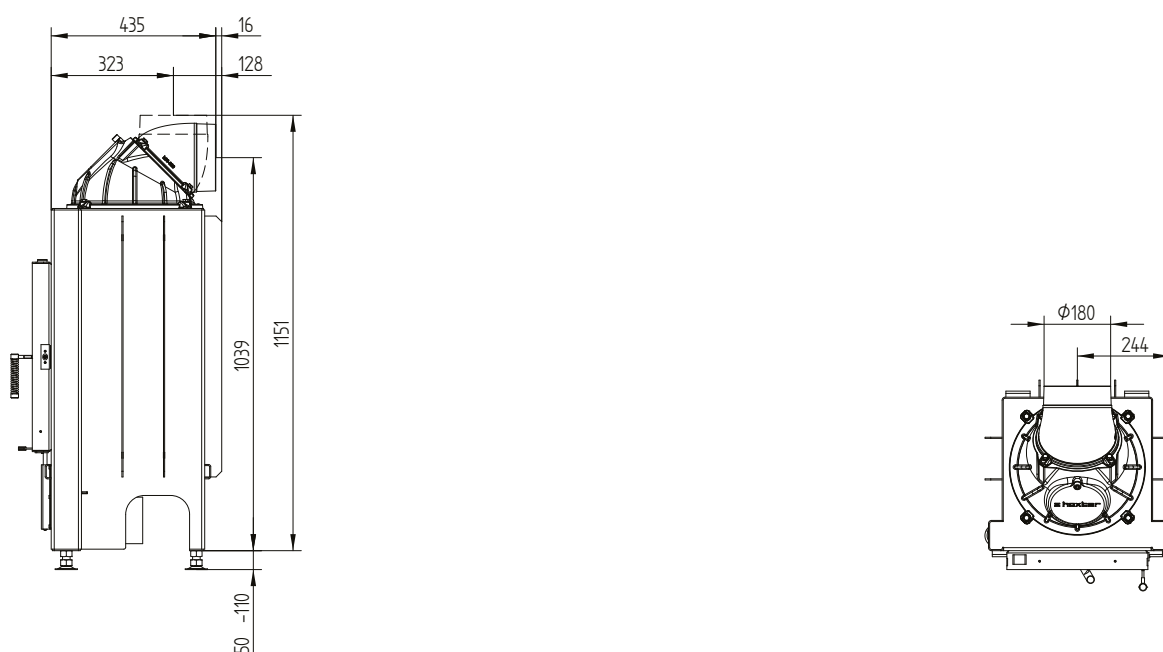
HAKA 37/50

Technical data
Version 09/2023

HAKA 37/50 hot air exchanger vertical / smoke outlet 45°



HAKA 37/50 cupola

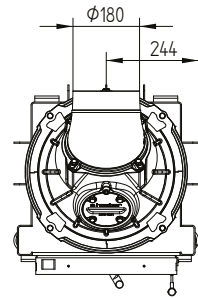
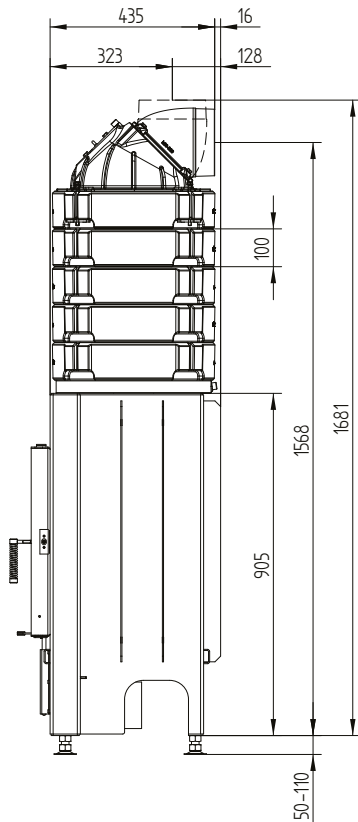


M 1:20

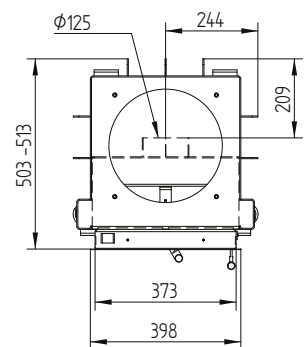
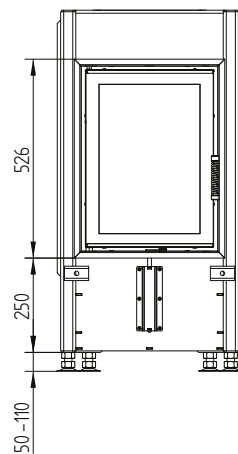
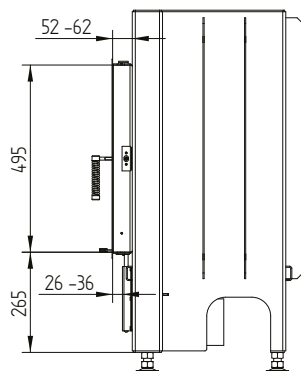
HAKA 37/50

Technical data
Version 09/2023

HAKA 37/50 accumulation set



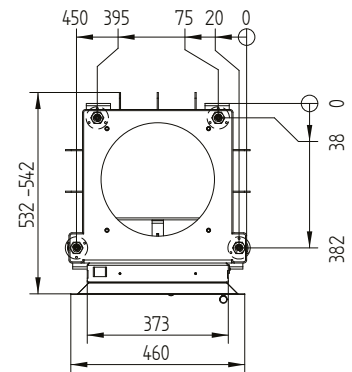
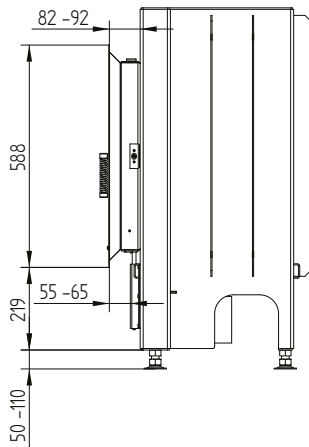
Cover frame 37/50 side opening 4sides 50 mm x 90° / air inlet



HAKA 37/50

Technical data
Version 09/2023

Cover frame 37/50 side opening 4sides 80 mm 2 x 45° / feet



Door frame 37/50 90 mm thick. 5 mm

